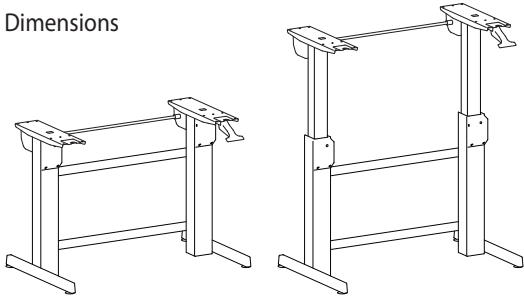


# Ergotron®

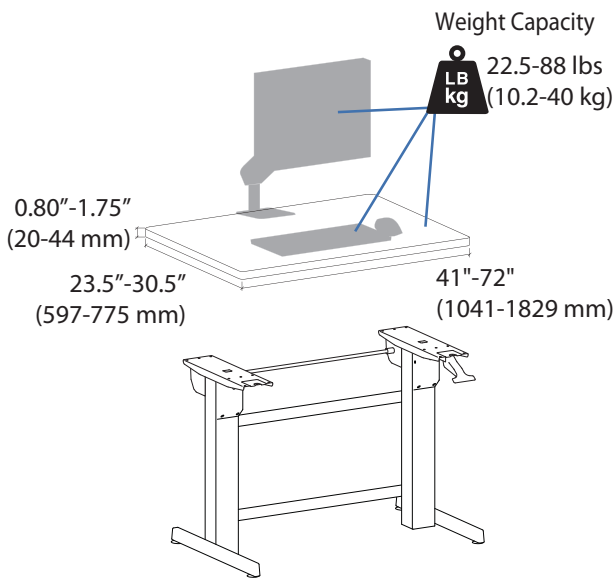
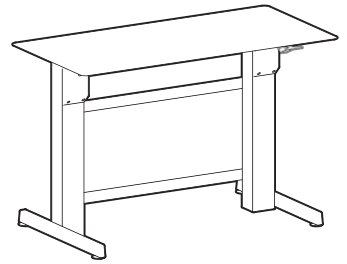
## WorkFit-B-HD

### Dimensional & Range of Motion Illustrations

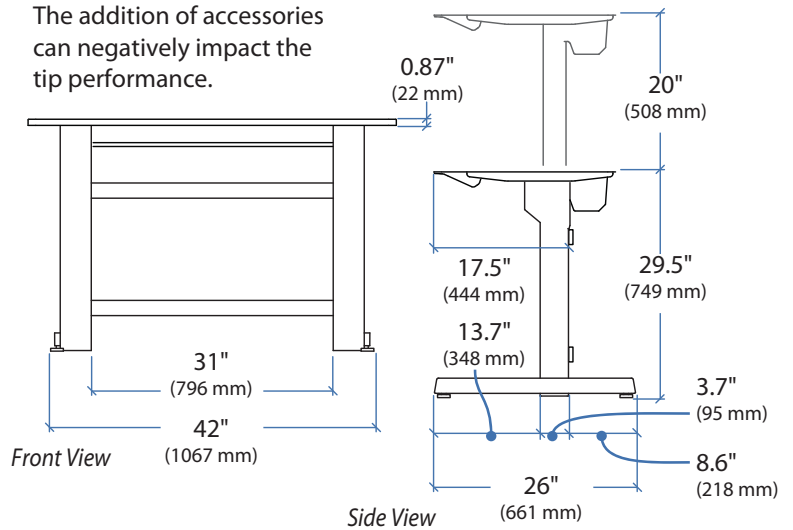
#### Dimensions



Wood Worksurface Weight Estimator	
Worksurface Thickness	Estimated Weight per square foot
0.80" (20 mm)	2.9 lbs (1.32 kg)
1.25" (32 mm)	4.5 lbs (2.04 kg)
1.75" (44 mm)	6.3 lbs (2.86 kg)

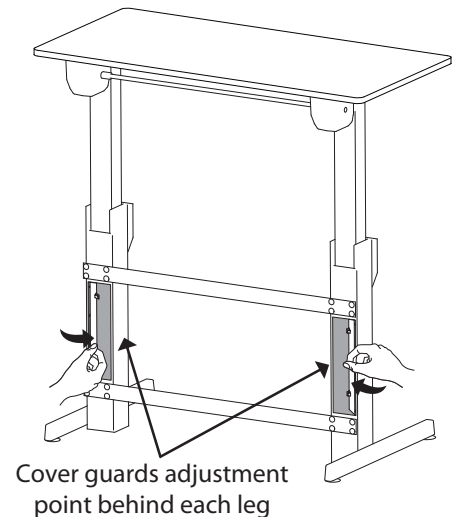
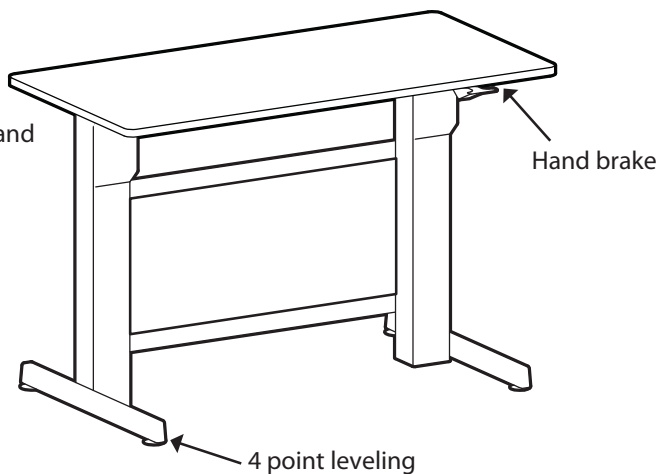


The addition of accessories can negatively impact the tip performance.



#### Features

Ergonomic Sit to Stand Height Adjustment



© 2013 Ergotron, Inc. rev. 08/26/2013 DIM-WorkFit-B-HD Content is subject to change without notification

#### Americas Sales and Corporate Headquarters

St. Paul, MN USA  
(800) 888-8458  
+1-651-681-7600  
www.ergotron.com  
sales@ergotron.com

#### EMEA Sales

Amersfoort, The Netherlands  
+31 33 45 45 600  
www.ergotron.com  
info.eu@ergotron.com

#### APAC Sale

Tokyo, Japan  
www.ergotron.com  
apaccustomerservice@ergotron.com

#### Worldwide OEM Sales

www.ergotron.com  
info.oem@ergotron.com

